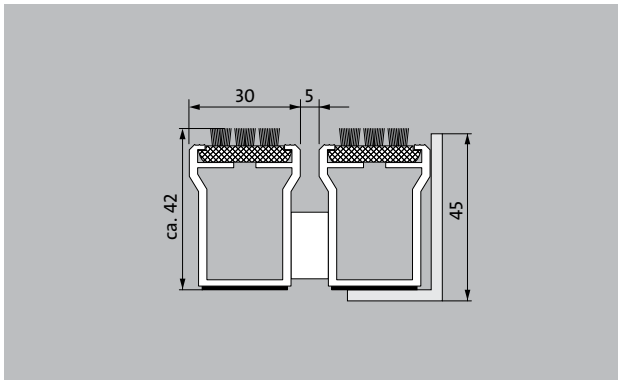
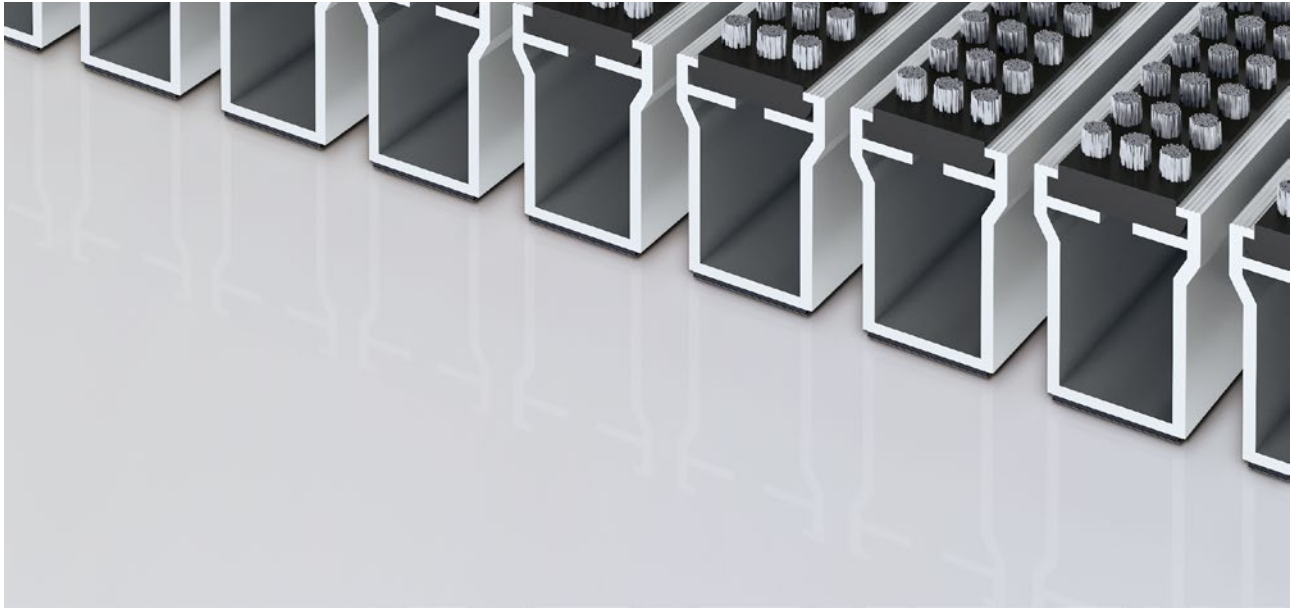


## Model 542 SCB



The toughest of all the robust weather-proof solutions available. For picking up significant amounts of coarse soiling in heavily frequented buildings.

**1** **2** **3** Outside (Zone 1)

### Description

Roll-up, extremely hard-wearing entrance mat for heavy loads, for supported and self-supporting laying. Can be rolled over and also driven over by pallet trucks and goods vehicles. The special profile shape and height enable more dirt to be collected between the profiles. Mats produced to fit width and walking depth specifications perfectly, without the need for adjustment profiles. Any geometric shape is available, cut through the bristle bundles if necessary.



Outside  
(Zone 1)



Street dust,  
hair, sand,  
ash, textile  
fibres, small  
leaves and  
twigs, loose  
chippings,  
coarse sand,  
small gravel  
particles



Street dust,  
hair, sand, ash,  
textile fibres,  
small leaves  
and twigs, etc.



Extremely  
durable



4 year war-  
ranty

## Model 542 SCB

<b>Approx. height (mm)</b>	42
<b>Roll-over and drive-over capability:</b>	<p>Prams</p> <p>Sack-/hand truck</p> <p>Wheelchairs</p> <p>Light shopping trolleys</p> <p>hand trolleys</p> <p>pallet trucks</p> <p>Electric lift truck</p> <p>Cars</p> <p>Lifting platform (i.e scissor lift )</p> <p>Forklift truck</p>
<b>Note on ability to withstand rolling traffic and drive-over capability</b>	Please note: the bristles in the cassette brush can lose their resilience if they are frequently overrolled.
<b>Standard profile clearance approx. (mm)</b>	5 mm, rubber spacers
<b>Connection</b>	Plastic-coated steel cable
<b>Max. width/profile length for individual section (mm):</b>	2800
<b>Profile width (mm)</b>	30
<b>Depth/walking depth for individual section (mm):</b>	1000
<b>Weight (kg/m<sup>2</sup>)</b>	27,58
<b>Mat division as per factory standards</b>	From a profile length of 3000 mm or a maximum mat weight of 30 kg. For profile lengths above 2300 mm, a surcharge is applicable . Mat deviations/ splits possible at customer's request.
<b>Support chassis</b>	Thick-walled, rigid aluminium with impact sound insulation underlay
<b>Tread surface</b>	Recessed, robust, weather-proof cassette sections, equipped with brush bundles arranged parallel to one another. Actual mat height: + 1 to 2 mm.
<b>Flammability</b>	Complete mat system (for bristle bundles in black) available on request (surcharge applicable) with fire classification Cfl-s1 according to EN 13501.

Accessories
emco cover strip: C42 Chrome-nickel steel (V2A)
emco dirt collection well: 5000 AL Aluminium
emco dirt collection well: 5000 CN Chrome-nickel steel (V2A)
emco dirt collection well: 5000 AL+ Aluminium
emco dirt collection well: 5000 CN+ Chrome-nickel steel (V2A)
emco dirt collection well: 5542CN Chrome-nickel steel (V2A)
emco dirt collection well: 5042 AL Aluminium
emco dirt collection well: 5042 CN Chrome-nickel steel (V2A)
emco dirt collection well: 5542AL Aluminium
emco dirt collection well: 5542AL Aluminium
emco dirt collection well: 5542CN Chrome-nickel steel (V2A)
emco dirt collection well: 5000 AL Aluminium
emco dirt collection well: 5000 CN Chrome-nickel steel (V2A)
emco dirt collection well: 5000 AL+ Aluminium
emco dirt collection well: 5000 CN+ Chrome-nickel steel (V2A)
emco special frame with substructure: A Version A: with installation frame, rectangular tube profiles, grid support and height adjustment.
emco special frame with substructure: B Version B: with installation frame, grid support and rectangular tube profiles
emco special frame with substructure: C Type C: with installation frame and rectangular tube profiles
Rubber underlay 3 mm: GU 3
Rubber underlay 5 mm: GU 5
Rubber underlay 1 mm: GU 1
Mat joining brackets: MV Supplied as standard with mats in several parts

Suitable for:
Arena
DIY store
University / Higher education institution
Industry
Warehouse
Trade fair

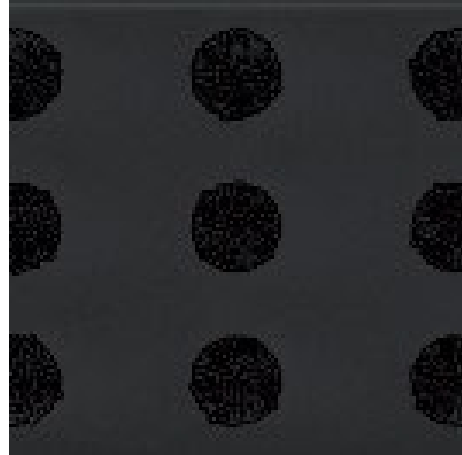
Service and services
Construction site advice
Measured using laser measuring device on site.
Fitting and installation service
The product can be disposed of or recycled in an environmentally friendly way.

## Model 542 SCB

### Colours



Bristle bundles in grey



Bristle bundles in black

Warranty conditions are available at:  
[www.emco-bau.com/en/warranty-conditions/](http://www.emco-bau.com/en/warranty-conditions/)

Subject to technical modifications

emco Bautechnik GmbH · Breslauer Straße 34 - 38 · D-49808 Lingen (Ems)  
· Germany · Phone: +49 (0) 591/9140-500 · Fax: +49 (0) 591/9140-852 · Email:  
[bau@emco.de](mailto:bau@emco.de) · [www.emco-bau.com](http://www.emco-bau.com)