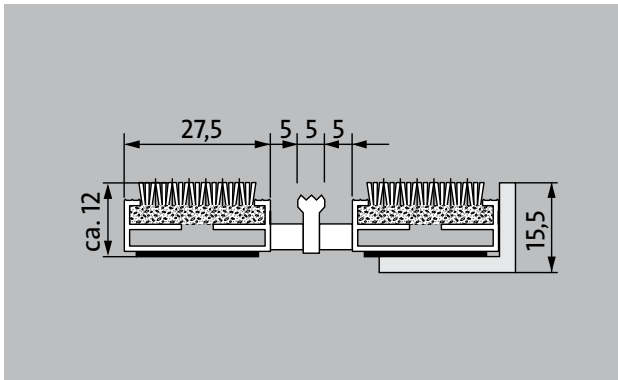
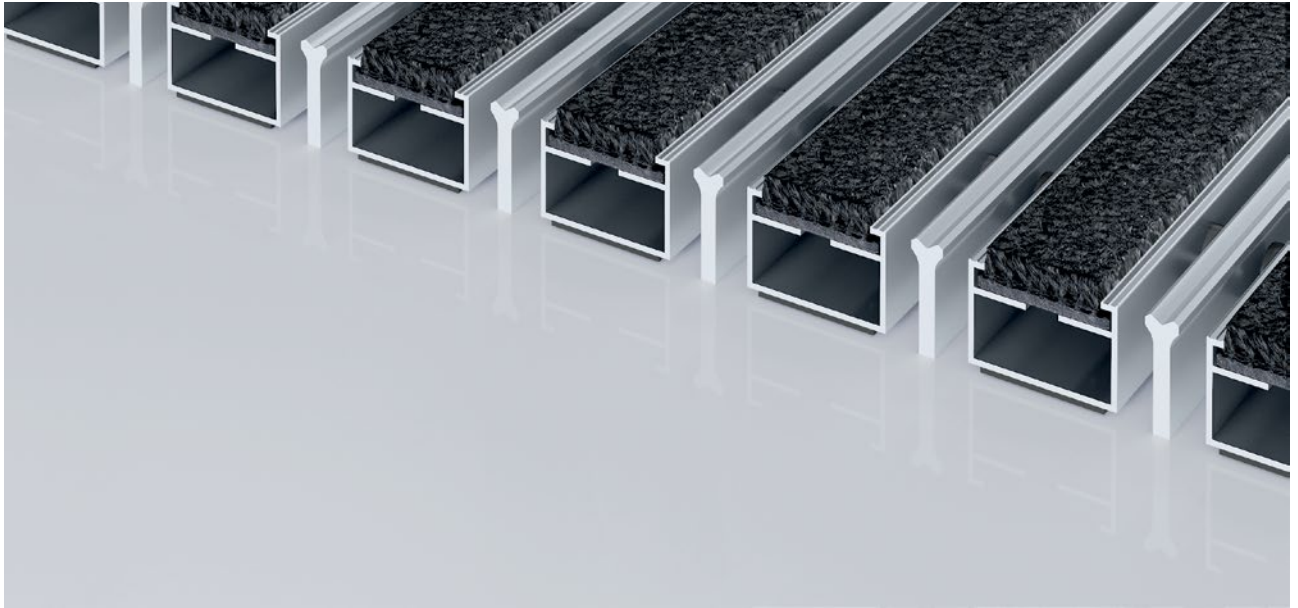


Model 512 P Maximus Image K



The premium entrance mat with the Maximus Image insert for single-colour printing of individual colour preferences is the number-one choice for environments that call for a unique design and exceptional reduction of fine dirt. Optimally designed for buildings exposed to average to heavy footfall.

1 **2** **3** Indoor and outdoor (covered, Zone 1+2)

Description

Rollable and hard-wearing premium entrance mat with performance insert for supported installation options. Suitable for single-colour printing of individual colour preferences. Customisable widths and walking depths available without a compensation profile. Available in any geometric shape.



Indoor and outdoor (covered, Zone 1+2)



Street dust, hair, sand, ash, textile fibres, small leaves and twigs, etc.



Damp street dust, damp sand deposits, dust, etc.



5 years guarantee



Property suitable inlay 33

emco DIPLOMAT Premium With Maximus Image insert and scraping edge

Model 512 P Maximus Image K

Colours

 01.100.S	 01.30.S	 03.260.S	 04.10.S	 04.110.S	 04.60.S	 05.190.S	 05.210.S
 05.270.S	 06.120.S	 06.130.S	 06.180.S	 06.200.S	 06.70.S	 07.160.S	 07.220.S
 07.230.S	 07.280.S	 07.60.S	 01.110.B	 01.170.B	 01.20.B	 01.40.B	 01.60.B
 02.130.B	 02.170.B	 02.20.B	 02.220.B	 02.230.B	 02.30.B	 02.40.B	 02.50.B
 02.60.B	 02.70.B	 02.80.B	 03.100.B	 03.140.B	 03.150.B	 03.160.B	 03.170.B
 03.200.B	 03.210.B	 03.240.B	 03.270.B	 03.280.B	 03.50.B	 03.60.B	 03.80.B
 04.20.B	 04.40.B	 04.90.B	 05.150.B	 05.170.B	 05.180.B	 05.20.B	
 05.240.B	 05.260.B	 05.330.B	 05.40.B	 05.70.B	 05.80.B	 06.140.B	 06.160.B
 06.20.B	 06.270.B	 06.280.B	 06.30.B	 06.40.B	 06.60.B	 06.80.B	 07.10.B
 07.180.B	 07.190.B	 07.50.B	 07.70.B	 07.90.B			

emco DIPLOMAT Premium With Maximus Image insert and scraping edge

Model 512 P Maximus Image K

Approx. height (mm)	12
Roll-over and drive-over capability:	Prams Sack-/hand truck Wheelchairs
Standard profile clearance approx. (mm)	5 mm, rubber spacers
Revolving door drives	Our mats with a profile spacing of 3mm in accordance with DIN EN 16005 are available for revolving door drives.
Connection	Plastic-coated steel cable
Profile width (mm)	27.5
Weight (kg/m²)	9.0
Mat division as per factory standards	From a profile length of 3000 mm or a maximum mat weight of 25 kg. For profile lengths above 2300 mm, a surcharge is applicable. Mat deviations/splits possible at customer's request.
Support chassis	Made using aluminium with sound absorbing insulation on the underside
Support chassis colour	Anodised colours for an additional charge: EV3 gold, C33 mid-bronze, C35 black or C31 stainless steel
Tread surface	The Maximus Image insert is suitable for single-colour printing in a personally chosen colour. The additional profile increases the cleaning effect.
Flammability	Insert with fire classification Bfl-s1 according to EN 13501.
Pile material	100% PA 6.6 (polyamide)
Use classification EN1307	Property suitable inlay 33

Accessories
emco installation frame 500: 500-15 AL Aluminium
emco installation frame 500: 500-15 CN Chrome-nickel steel (V2A)
emco ramp edge: A12 Aluminium
emco cover strip: C12 Chrome-nickel steel (V2A)
emco INOX®: LINEO 12 Chrome-nickel steel (V2A)
emco dirt collection well: 5512AL Aluminium
emco dirt collection well: 5512CN Chrome-nickel steel (V2A)
Rubber underlay 1 mm: GU 1
Rubber underlay 3 mm: GU 3
Rubber underlay 5 mm: GU 5
Mat joining brackets: MV Supplied as standard with mats in several parts

Suitable for:
Retirement homes and Care-/Nursery Homes
medical practice
Family home
Apartment building
Sports hall

Insert certified to TÜV PROFiCERT- product interior (Standard)
French VOC regulation
LEED v4 (outside North America)
BREEAM Exemplary Level
Belgian VOC regulation
AgBB (Committee for Health-related Evaluation of Building Products)
MVV TB Appendix 8, 9 / ABG

Service and services
Construction site advice
Dimensioning
Measured using laser measuring device on site.
Installation service
Fitting and installation service
Repairs
The product can be disposed of or recycled in an environmentally friendly way.

Warranty conditions are available at:
www.emco-bau.com/en/warranty-conditions/

Subject to technical modifications/Colours may deviate due to production processes

emco Bautechnik GmbH · Breslauer Straße 34 - 38 · D-49808 Lingen (Ems)
Germany · Phone: +49 (0) 591/9140-500 · Fax: +49 (0) 591/9140-852
Email: bau@emco.de · www.emco-bau.com

