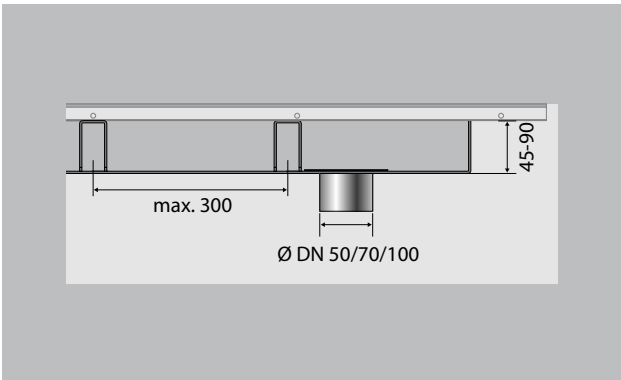
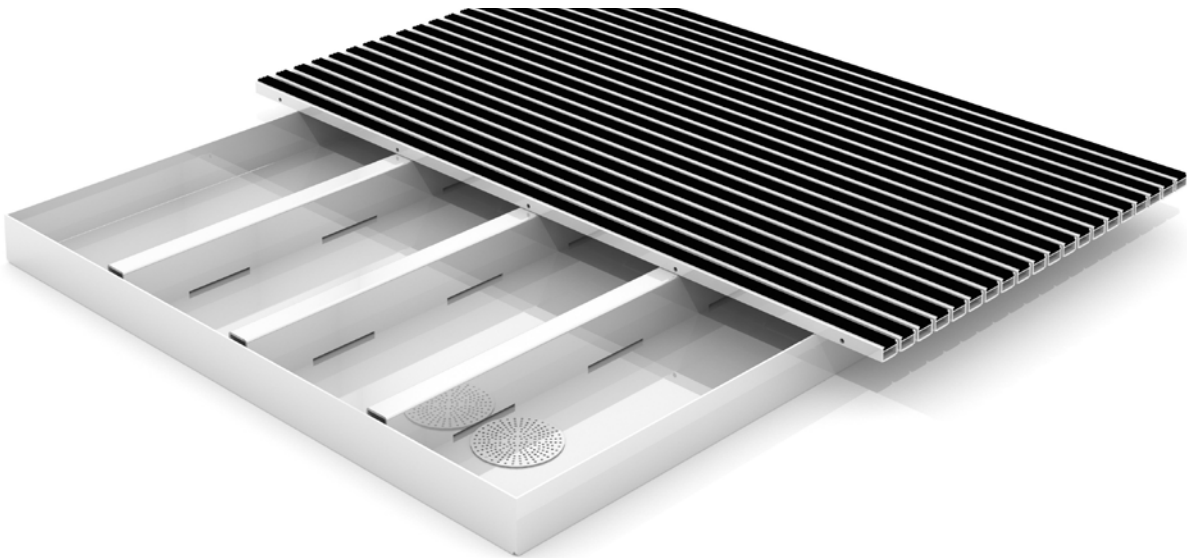


# emco dirt collection well

## Model 5000 CN



emco dirt collection wells are required to counter the increased dirt levels in heavily frequented entrance areas. Together with the emco MARSCHALL (not when combined with a scraper bar or brush strip) and emco PLAZA entrance mats, they form an unbeatable unit in terms of effective cleansing and practicality.

### Description

Dirt collection wells developed for emco MARSCHALL and emco PLAZA entrance mats for increased dirt uptake.



Outside (Zone 1)



Indoor and outdoor (covered, Zone 1+2)



Street dust, hair, sand, ash, textile fibres, small leaves and twigs, loose chippings, coarse sand, small gravel particles



Damp street dust, damp sand deposits, dust, etc.



## Model 5000 CN

<b>Weight (kg/m<sup>2</sup>)</b>	27,9
<b>Suitable for</b>	MARSCHALL 17 MARSCHALL 22 PLAZA 42 Also available in large variants.
<b>Approx. material thickness (mm)</b>	2,0
<b>Structure</b>	A dirt collection well unit can be built up in modules consisting of either a single well or multiple wells which may vary in width and depth. From a visual and functional perspective, the entrance mat is commonly manufactured with a frame.
<b>Freedom to create your own individual design</b>	In spite of the rectangular shape of the wells, no limits are placed on your creativity when it comes to tailoring the mat to your own specifications. Architecturally inviting entrances demand a harmoniously integrated entrance mat. In these cases, the wells are often only used in areas where the greatest amounts of dirt occur, and the entrance mats far exceed what is required.
<b>Material</b>	Stainless steel (V2A), bonded and watertight, interior completely smooth for easy cleaning.

<b>Support profile</b>	Stainless steel (V2A), max. spacing 300 mm with recesses for all-around water drainage. These profiles must run laterally at an angle of 90° beneath the profiles.
<b>Additional data</b>	There is no surrounding edging frame for the entrance mat. A frame can be added to the entrance mat you have chosen if required.
<b>Larger dimensions</b>	Multiple well units are screwed together on site to make a single system.
<b>Fittings</b>	Available on request with drainage system and water drainage connection for multiple well units. We recommend one drainage system per well unit for multiple well units.
<b>Drainage system</b>	Complete drainage system in sizes DN 50, DN 70 or DN 100, including stainless steel strainer. Standard size for the drainage system is DN 50.
<b>Well overall height</b>	Standard: 70 mm Optional single-piece well: 45 90 mm Optional multi-piece wells: 45 90 mm
<b>Max. well depth, one piece (mm)</b>	1300

Subject to technical modifications